

## Charging Isolated Battery Banks - One Charge Controller

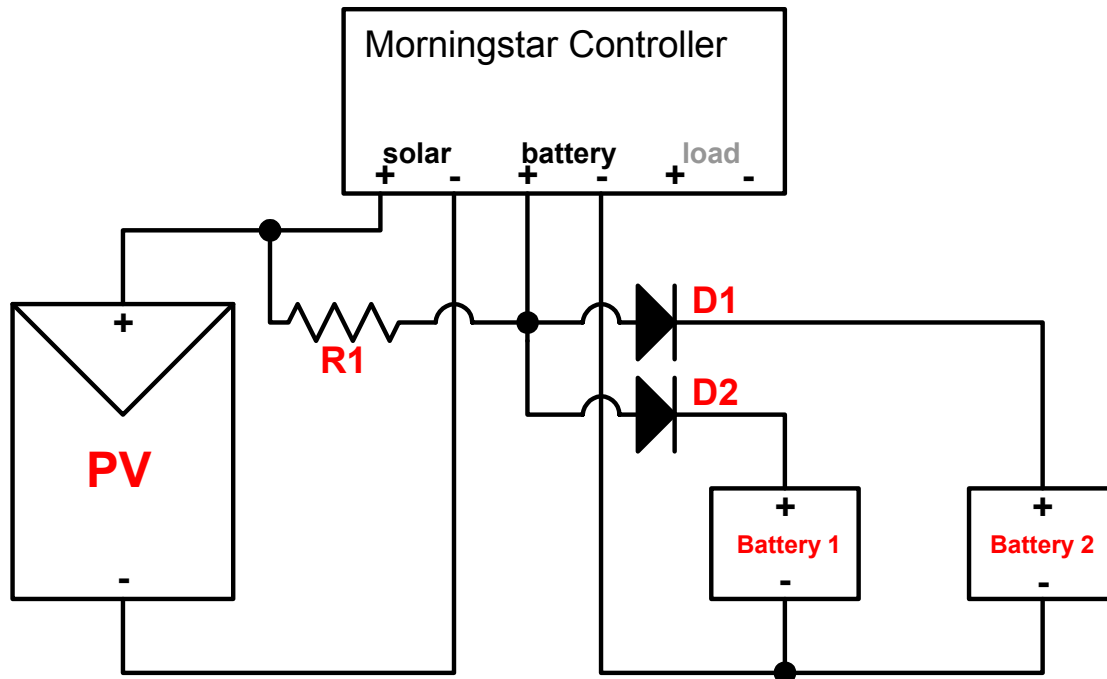


fig1. wiring diagram.

### Notes:

**Applies to any SunSaver controller. NOT applicable to SunLight controllers.**

- Use Schottky diodes for D1 & D2
- $R1 = 500\Omega$  2W
- Due to the diode drops, regulation will be off. The controller will regulate the batteries lower by the amount of the diode drops. For Sealed batteries, use the Flooded battery setting on the controller.
- Do not use the Load terminals on the controller. Wire all loads directly to the batteries.
- Use fuses and disconnects as code and regulations require.
- If you can not have diode drops between the controller and battery, refer to the Morningstar document: "Charging Isolated Battery Banks With One PV Array"