
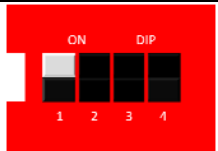



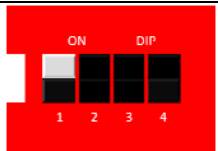

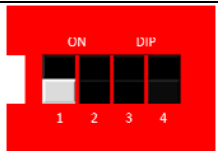


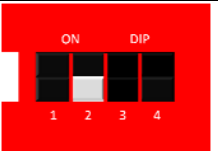
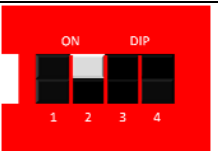
SunSaver MPPT Set-up:

1) Battery Set-up

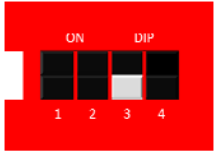
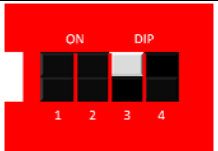
	Battery Jumper	Dip Switch Position	Check ✓
Gel			
Sealed			
AGM			
Flooded			

2) Load Control –

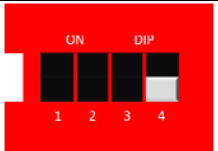
Low Voltage Disconnect / Reconnect

	Dip Switch Position	Check ✓
LVD = 11.50 V LVR = 12.60 V		
LVD = 11.00 V LVR = 12.10 V		

3) Enable or Disable Auto-Equalization

	Dip Switch Position	Check ✓
AUTO-EQUALIZE OFF		
AUTO-EQUALIZE ON (AGM & flooded battery type only)		

4) Communication – Meter / MODBUS

	Dip Switch Position	Check ✓
MORNINGSTAR REMOTE METER		
MODBUS® PROTOCOL FOR MSVIEW & 3RD PARTY DEVICES	